

WESTFALL

WESTFALL MANUFACTURING COMPANY

16 Peckham Drive

Bristol, Rhode Island 02809

Email: info@westfallmfg.net

Web-site: www.westfallmfg.com

Tel: 401-253-3799

(888) 928-3747

FAX: 401-253-6530

Model 2850 In-Line Static Mixer

US PATENT NO. D466, 595



Please contact our Asia Pacific distributor:

H2O Rx

Phone: 0409 784 236 or 0421 795 353

info@h2orx.com.au

www.h2orx.com.au

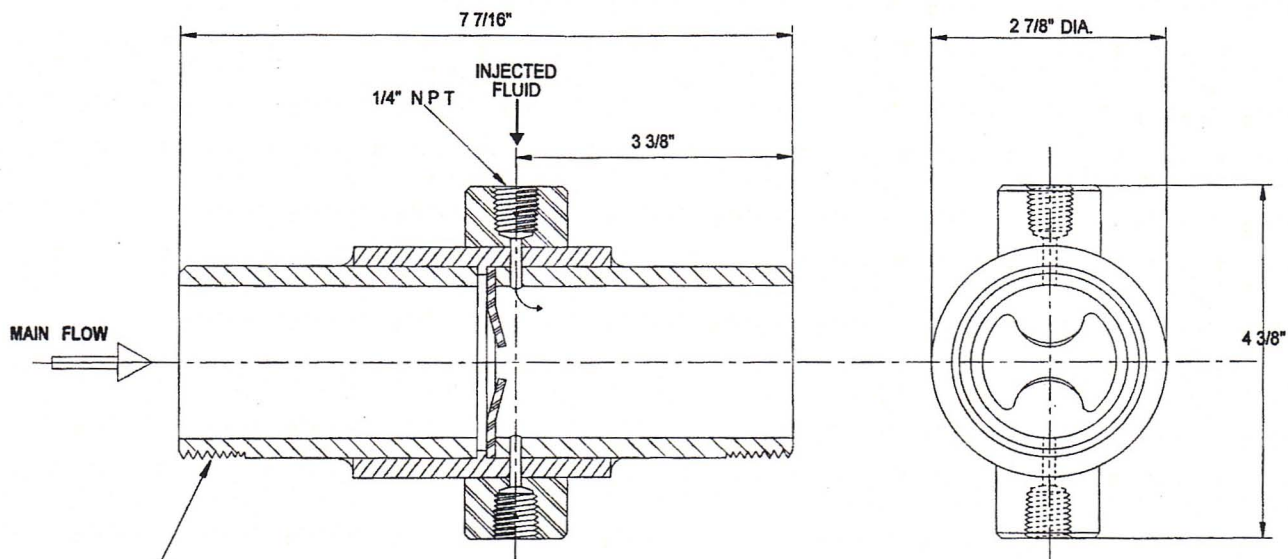
Bulletin 2850 March 2008

Advantages of the Model 2850 In-line Static Mixer

- Low Cost
- Designed for PVC, CPVC, stainless steel systems
- Integral injection fittings
- Predictable mixing
- Easy installation
- No maintenance required
- No moving parts
- Available with flanged, threaded, or tri-clover end fittings

Information Required for Express Service Quotation:

- Main Pipe Size and I.D.
- Main Line Fluid and Flow Rate
- Main Line Temperature, Pressure and Viscosity
- Quality of Injected Fluids
- Flow Rate, Temperature, Viscosity of Each Injected Fluid
- Material of Mixer Body
- Material of Mixer Plate
- Injection Fitting Material
- Other Special Requirements



2 INCH NPT OR
2 INCH PLAIN END
SCHEDULE 80 PIPE

LOW COST, INLINE, STATIC MIXER
EASY INSTALLATION AND HOOK-UP
LONG SERVICE LIFE
AVAILABLE IN 1" THROUGH 12"
SCHEDULE 80 PVC PIPE

WESTFALL MANUFACTURING CO.

16 Peckham Dr., BRISTOL RI 02809
PHONE 401-253-3799 FAX 401-253-6530